

Holtest

SERIES 468 – Digimatic Holtest Three-Point Bore Micrometer

- Three-point bore micrometer with large LCD readout (character height 7.5 mm).
- Titanium-coated measuring pins provide excellent durability and impact resistance and allow the instrument to measure right to the bottom of a blind hole.
- One SR44 battery is required and battery life is approx. 1.2 years under normal use.
- ABSolute and INCremental measurement modes allow highly efficient operation.
- The IP65 protection rating allows the instrument to be used in the presence of splashing coolant.
- Measurements can be made close to the bottom of a blind hole.
- Deep holes can be measured by attaching an extension rod (optional).
- A function lock prevents accidental change of reference point.
- Measurement data output enables operation with Statistical Process Control (SPC) and measurement control systems.
- An interface input tool is available for transferring measurement data, under keyboard control, directly to commercial spreadsheet software.
- Interchangeable-Head Sets (interchangeable measuring heads type) covering an extended measuring range using multiple heads and Non-interchangeable-Head Sets are available.
- For Setting Rings, refer to page C-41.



468-264

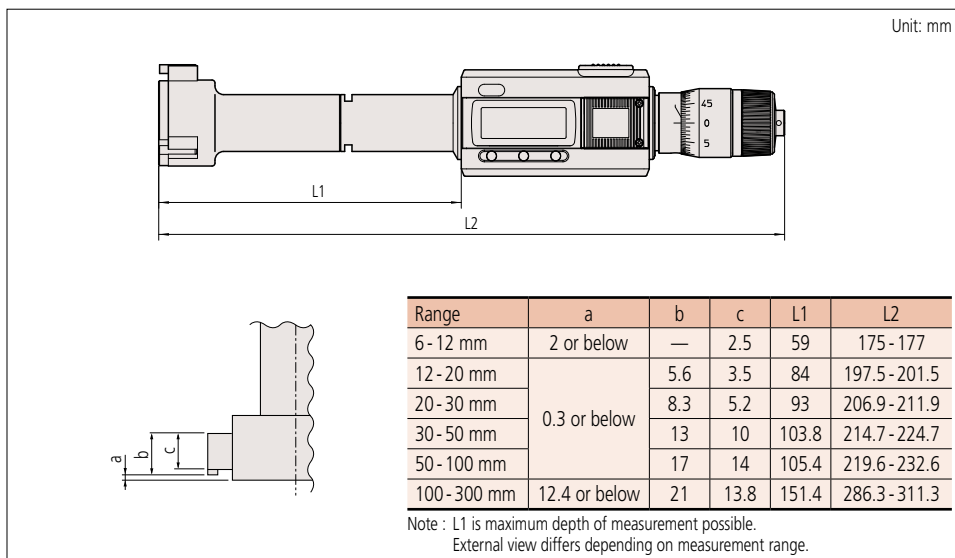


468-267



468-273

DIMENSIONS



Technical Data

Display: LCD
 Dust/water protection level: IP65 (IEC60529) *1
 Battery: SR44 (1 pc), **938882**
 *1 Rustproofing treatment to be applied after use.

Functions

Zero-setting
 Origin restoration
 Data hold
 2-point Preset
 Function lock
 inch/mm readout
 Automatic power ON/OFF
 Error alarm
 Data output



Data hold



Shown mounted on stand using bracket **04AZB157** (optional accessory)

Optional Accessories

- 05CZA662:** SPC data cable with pushbutton (1 m)
£58.50
- 05CZA663:** SPC data cable with pushbutton (2 m)
£70.40
- 06ADV380B:** USB Input Tool Direct USB-ITN-B (2 m)
£106.00
- 02AZD790B:** SPC data cable for U-WAVE-T (160 mm)
£52.20
- 02AZE140B:** SPC data cable for U-WAVE-T and footswitch (160/500 mm)
£119.00



- 952322:** 100 mm extension rod (for 6-12 mm range)
£62.80
- 952621:** 150 mm extension rod (for 12-20 mm range)
£51.00
- 952622:** 150 mm extension rod (for 20-50 mm range)
£57.00
- 952623:** 150 mm extension rod (for 50-300 mm range)
£85.00

SPECIFICATIONS

| Inch/Metric | | | | |
|-------------|-------------------|-------------------------------------------------|-----------------------------------------------|-------------------------------------------------|
| Code No. | Range | Resolution | Accuracy* | Price |
| 468-261 | 6-8 mm/.275-.35" | 0.001 mm/.00005" | ±2 μm (range 2 μm) /±.0001" (range .0001") | £595.00 |
| 468-262 | 8-10 mm/.35-.425" | | | £595.00 |
| 468-263 | 10-12 mm/.425-.5" | | | £608.00 |
| 468-264 | 12-16 mm/.5-.65" | | | £656.00 |
| 468-265 | 16-20 mm/.65-.8" | | | £656.00 |
| 468-266 | 20-25 mm/.8-1" | | £709.00 | |
| 468-267 | 25-30 mm/1-1.2" | | £774.00 | |
| 468-268 | 30-40 mm/1.2-1.6" | | £828.00 | |
| 468-269 | 40-50 mm/1.6-2" | | £847.00 | |
| 468-270 | 50-63 mm/2-2.5" | | 0.001 mm/.0001" | ±3 μm (range 3 μm) /±.00015" (range .00015") |
| 468-271 | 62-75 mm/2.5-3" | £905.00 | | |
| 468-272 | 75-88 mm/3-3.5" | £918.00 | | |
| 468-273 | 87-100 mm/3.5-4" | £930.00 | | |
| 468-274 | 100-125 mm/4-5" | £1350.00 | | |
| 468-275 | 125-150 mm/5-6" | £1420.00 | | |
| 468-276 | 150-175 mm/6-7" | £1480.00 | | |
| 468-277 | 175-200 mm/7-8" | £1560.00 | | |
| 468-278 | 200-225 mm/8-9" | £1650.00 | | |
| 468-279 | 225-250 mm/9-10" | ±5 μm (range 5 μm) /±.00025" (range .00025") | | £1700.00 |
| 468-280 | 250-275 mm/10-11" | | £1750.00 | |
| 468-281 | 275-300 mm/11-12" | | £1800.00 | |

* Excluding quantizing error. Accuracy specifications apply to the whole length of the measuring pins, and are given both in terms of the limits of deviation of a measurement and the total width of the deviation range (in parentheses).

Note: It is not advisable to use measuring heads other than those supplied as standard accessories, or attempt to widen a measuring range by using any other heads. (The measuring accuracy in such cases is not guaranteed.)



Interchangeable-head sets (interchangeable measuring heads type).



Non-interchangeable-head sets.

Holtest

SERIES 468 – Digimatic Holtest Three-Point Bore Micrometer Interchangeable-Head Sets



468-976



468-977



468-979

SPECIFICATIONS

| Inch/Metric | | | | | | |
|-----------------------|----------------------|----------------|-------------|-------|----------|--|
| Code No. | Range | Content of set | | | Price | |
| 468-976 | 6 - 12 mm / .275-.5" | Display unit | | 1 pc | £1440.00 | |
| | | Measuring head | .275 - .35" | 1 pc | | |
| | | | .35 - .425" | 1 pc | | |
| | | | .425 - .5" | 1 pc | | |
| | | Setting ring | ø.35" | 1 pc | | |
| | | | ø.425" | 1 pc | | |
| | | Extension rod | 100 mm | 1 pc | | |
| | | Spanner | | 2 pcs | | |
| Hex wrench | | 1 pc | | | | |
| Phillips screw driver | | 1 pc | | | | |
| 468-977 | 12 - 20 mm / .5-.8" | Display unit | | 1 pc | £1190.00 | |
| | | Measuring head | .5 - .65" | 1 pc | | |
| | | | .65 - .8" | 1 pc | | |
| | | | ø.65" | 1 pc | | |
| | | Setting ring | ø.65" | 1 pc | | |
| | | Extension rod | 150 mm | 1 pc | | |
| | | Spanner | | 2 pc | | |
| Hex wrench | | 1 pc | | | | |
| Phillips screw driver | | 1 pc | | | | |
| 468-978 | 20 - 50 mm / .8-2" | Display unit | | 1 pc | £2020.00 | |
| | | Measuring head | .8 - 1" | 1 pc | | |
| | | | 1 - 1.2" | 1 pc | | |
| | | | 1.2 - 1.6" | 1 pc | | |
| | | | 1.6 - 2" | 1 pc | | |
| | | | ø1" | 1 pc | | |
| | | Setting ring | ø1.6" | 1 pc | | |
| | | Extension rod | 150 mm | 1 pc | | |
| Spanner | | 2 pc | | | | |
| Hex wrench | | 1 pc | | | | |
| Phillips screw driver | | 1 pc | | | | |
| 468-979 | 50 - 100 mm / 2-4" | Display unit | | 1 pc | £2900.00 | |
| | | Measuring head | 2 - 2.5" | 1 pc | | |
| | | | 2.5 - 3" | 1 pc | | |
| | | | 3 - 3.5" | 1 pc | | |
| | | | 3.5 - 4" | 1 pc | | |
| | | | ø2.5" | 1 pc | | |
| | | Setting ring | ø3.5" | 1 pc | | |
| | | Extension rod | 150 mm | 1 pc | | |
| | | Spanner | | 2 pc | | |
| | | Hex wrench | | 1 pc | | |
| Phillips screw driver | | 1 pc | | | | |
| 468-980 | 100 - 200 mm / 4-8" | Display unit | | 1 pc | £3900.00 | |
| | | Measuring head | 4 - 5" | 1 pc | | |
| | | | 5 - 6" | 1 pc | | |
| | | | 6 - 7" | 1 pc | | |
| | | | 7 - 8" | 1 pc | | |
| | | | ø5" | 1 pc | | |
| | | Setting ring | ø7" | 1 pc | | |
| | | Extension rod | 150 mm | 1 pc | | |
| | | Spanner | | 2 pc | | |
| | | Hex wrench | | 1 pc | | |
| Phillips screw driver | | 1 pc | | | | |

Note: It is not advisable to use measuring heads other than those supplied as standard accessories, or attempt to widen a measuring range by using any other heads. (The measuring accuracy in such cases is not guaranteed.)

Optional Accessories

- 05CZA662:** SPC data cable with pushbutton (1 m) **£58.50**
- 05CZA663:** SPC data cable with pushbutton (2 m) **£70.40**
- 06ADV380B:** USB Input Tool Direct USB-ITN-B (2 m) **£106.00**
- 02AZD790B:** SPC data cable for U-WAVE-T (160 mm) **£52.20**
- 02AZE140B:** SPC data cable for U-WAVE-T and footswitch (160/500 mm) **£119.00**

SERIES 468 – Digimatic Holtest Three-Point Bore Micrometer Non-Interchangeable-Head Sets



Optional Accessories

- 05CZA662:** SPC data cable with pushbutton (1 m)
£58.50
- 05CZA663:** SPC data cable with pushbutton (2 m)
£70.40
- 06ADV380B:** USB Input Tool Direct USB-ITN-B (2 m)
£106.00
- 02AZD790B:** SPC data cable for U-WAVE-T (160 mm)
£52.20
- 02AZE140B:** SPC data cable for U-WAVE-T and footswitch (160/500 mm)
£119.00



- 952322:** 100 mm extension rod (for 6-12 mm range)
£62.80
- 952621:** 150 mm extension rod (for 12-20 mm range)
£51.00
- 952622:** 150 mm extension rod (for 20-50 mm range)
£57.00
- 952623:** 150 mm extension rod (for 50-300 mm range)
£85.00



468-987



468-990

SPECIFICATIONS

| Inch/Metric | | | | | |
|----------------|--------------------|-----------------------|-----------|-------|-----------------|
| Code No. | Range | Content of set | | Price | |
| 468-986 | 6-12 mm / .275-.5" | Display unit | .275-.35" | 1 pc | £2470.00 |
| | | | .35-.425" | 1 pc | |
| | | | .425-.5" | 1 pc | |
| | | Setting ring | ø.35" | 1 pc | |
| | | | ø.425" | 1 pc | |
| | | Spanner | | 2 pcs | |
| 468-987 | 12-25 mm / .5-1" | Display unit | .5-.65" | 1 pc | £2620.00 |
| | | | .65-.8" | 1 pc | |
| | | | .8-1" | 1 pc | |
| | | Setting ring | ø.65" | 1 pc | |
| | | | ø.8" | 1 pc | |
| | | Spanner | | 2 pcs | |
| 468-988 | 25-50 mm / 1-2" | Display unit | 1-1.2" | 1 pc | £3050.00 |
| | | | 1.2-1.6" | 1 pc | |
| | | | 1.6-2" | 1 pc | |
| | | Setting ring | ø1.2" | 1 pc | |
| | | | ø1.6" | 1 pc | |
| | | Spanner | | 1 pc | |
| 468-989 | 50-75 mm / 2-3" | Display unit | 2-2.5" | 1 pc | £2250.00 |
| | | | 2.5-3" | 1 pc | |
| | | Setting ring | ø2.5" | 1 pc | |
| | | Spanner | | 1 pc | |
| | | Hex wrench | | 1 pc | |
| | | Phillips screw driver | | 1 pc | |
| 468-990 | 75-100 mm / 3-4" | Display unit | 3-3.5" | 1 pc | £2410.00 |
| | | | 3.5-4" | 1 pc | |
| | | Setting ring | ø3.5" | 1 pc | |
| | | Spanner | | 1 pc | |
| | | Hex wrench | | 1 pc | |
| | | Phillips screw driver | | 1 pc | |

Note: It is not advisable to use measuring heads other than those supplied as standard accessories, or attempt to widen a measuring range by using any other heads. (The measuring accuracy in such cases is not guaranteed.)