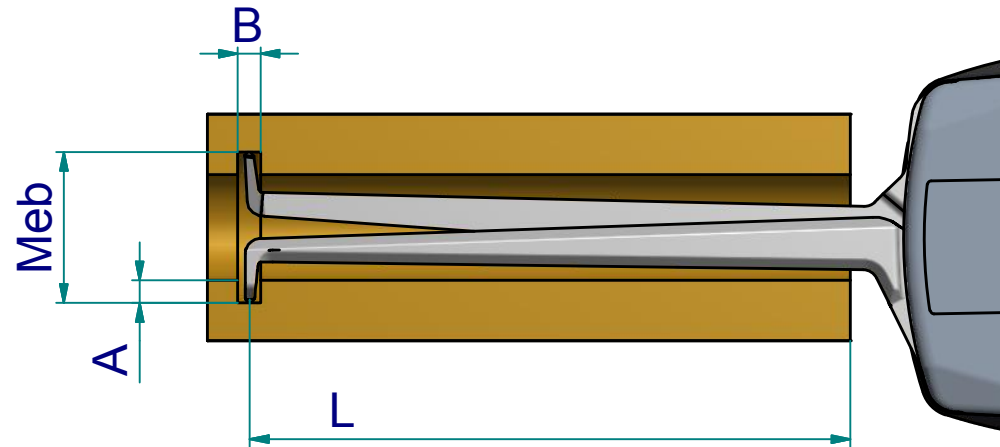


subject to technical alterations

type: G
range: .39 - 1.18 INCH
range of indication: .3740 - 1.2010 INCH
digital step: .0005 INCH
scale interval: -
measuring force: 1,1 - 1,6 N
weight: 250 g

acceptable deviations
VDI/VDE/DGQ 2618 Bl. 12.1/13.1)
max. permissible errors "G": .0015 INCH
repeatability "r": .0005 INCH
reference temperature: 20° C
operation temperature: 10° C - 30° C
storage temperature: -10° C - 50° C

scale: 1:1
drawing-nr.: DAB-G210_KR_I
date of issue: 07.01.09
name: M. Balzer
revision status: 001
revision date: 08.03.10



measuring capacity

groove depth A [inch]	measuring range Meb [inch]									
	.39	.47	.55	.63	.71	.79	.87	.98	1.18	
0	0 / 3.26	0 / 3.29	0 / 3.29	0 / 3.30	0 / 3.30	0 / 3.31	0 / 3.33	0 / 3.35	0 / 3.38	
.039		.07 / 3.23	.06 / 3.27	.06 / 3.28	.06 / 3.28	.06 / 3.30	.06 / 3.31	.06 / 3.33	.06 / 3.36	
.079			.07 / 3.22	.07 / 3.22	.07 / 3.23	.07 / 3.24	.06 / 3.25	.06 / 3.31	.06 / 3.34	
.118				.08 / 3.01	.07 / 3.23	.07 / 3.26	.07 / 3.27	.07 / 3.28	.07 / 3.32	
.157					.09 / 2.05	.08 / 2.79	.07 / 3.23	.07 / 3.26	.07 / 3.30	
.177						.10 / 1.68	.09 / 2.80	.08 / 3.26	.07 / 3.29	
.197						.16 / .06	.13 / .94	.11 / 3.23	.09 / 3.28	
	B / L									

subject to technical alterations

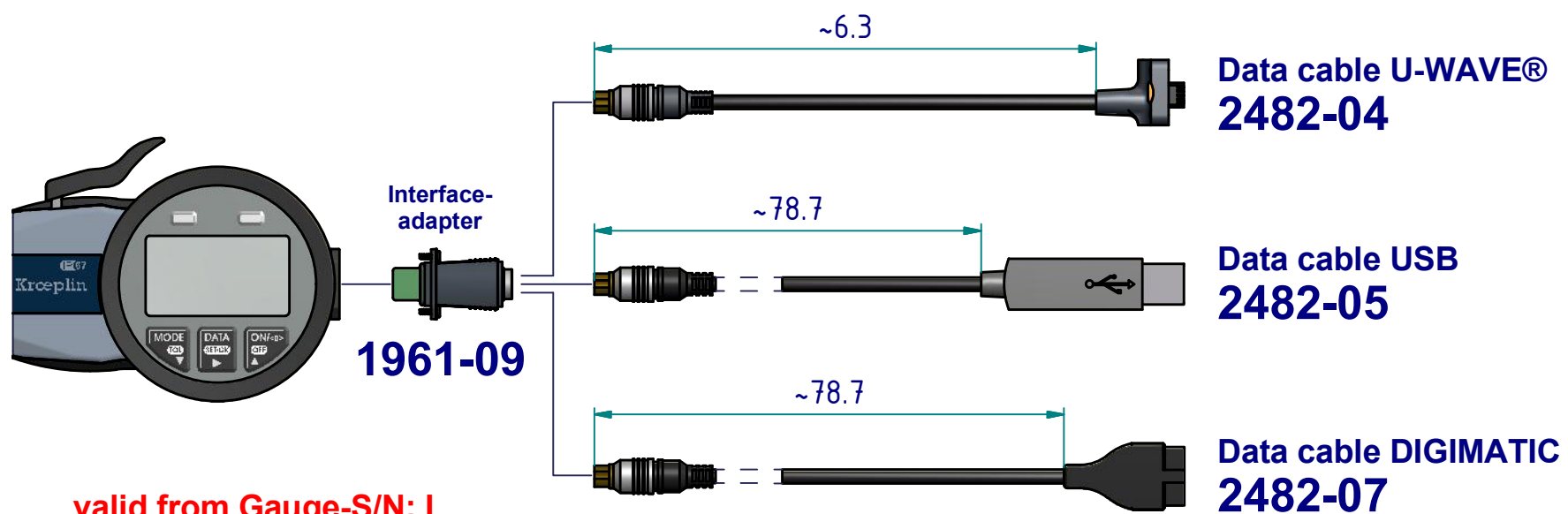
B = minimum groove width [inch]
L = maximum usable arm length [inch]

Example: Meb = .63 B = .07
 A = .079 L = 3.22

drawing-nr.: DAB-G210_KR_I
date of issue: 07.01.09
name: M. Balzer

revision status:
revision date:

interface as accessories available:



valid from Gauge-S/N: I
Always specify serial number
when ordering Interfaces or accessories!

subject to technical alterations

drawing-nr.:	DAB-G210_KR_I
date of issue:	07.01.09
name:	M. Balzer
revision status:	2043
revision date:	27.02.12