

Micrometers

SERIES 523 – Dial Snap Meter

- Suited to the measurement of mass produced parts.
- Designed for measurement using a stand to enable a more stable measurement.
- Greatly improved accuracy: indication error and graduation of 1 μm .
- Water resistant to protection level IP54.
- Indicator scale is large and easy-to-read.
- Hard-coated crystal: enhanced oil and scratch resistance.
- Easily settable adjustable limit markers for GO/ \pm NG testing.
- Equipped with an elevating workpiece stop as standard.
- Measuring faces: Carbide.

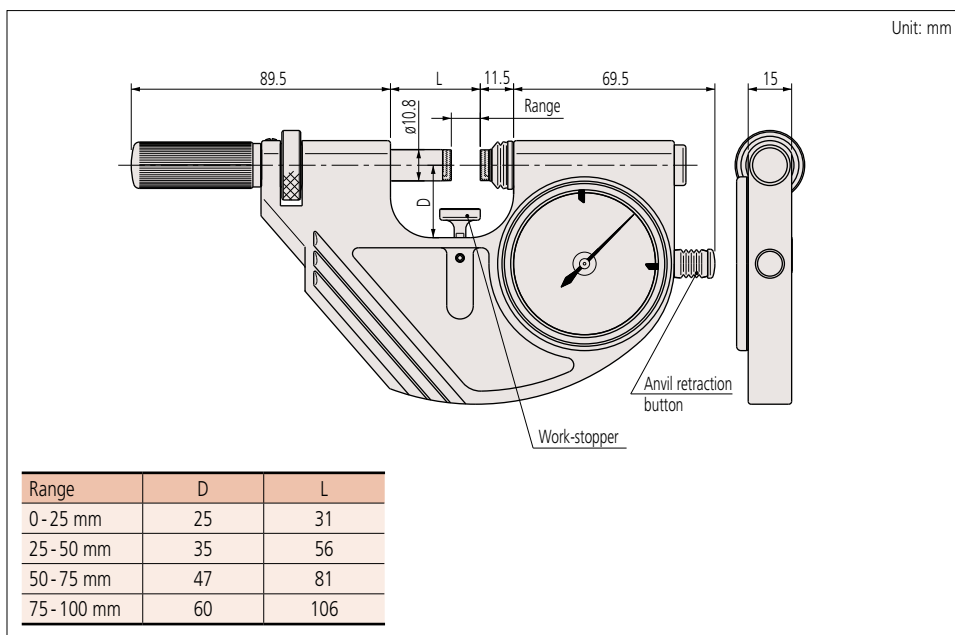


523-121

SPECIFICATIONS

Metric				
Code No.	Range	Dial graduation	Measuring force	Price
523-121	0 - 25 mm	0.001 mm	5 - 10N	£422.00
523-122	25 - 50 mm			£477.00
523-123	50 - 75 mm			£521.00
523-124	75 - 100 mm			£577.00
Inch				
Code No.	Range	Dial graduation	Measuring force	Price
523-131	0 - 1"	.00005"	5 - 10N	£422.00
523-132	1 - 2"			£477.00
523-133	2 - 3"			£521.00
523-134	3 - 4"			£577.00

DIMENSIONS



Technical Data

Indicator	
Indicating range:	$\pm 0.06 \text{ mm} / \pm .0023''$
Repeatability of indication:	$0.4 \mu\text{m} / .00002''$
Dial indication accuracy:	$1 \mu\text{m} / .00005''$
Flatness:	$0.3 \mu\text{m} / .000012''$
Parallelism:	$0.6 \mu\text{m} / .000024''$ for models up to 50 mm/2", $1 \mu\text{m} / .00004''$ for models over 50 mm/2" measuring range

