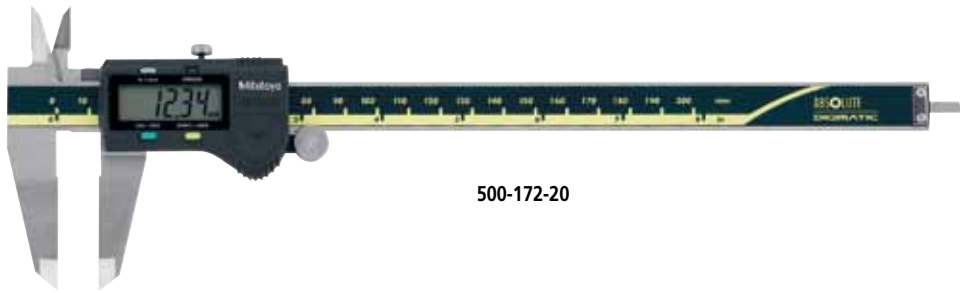


# Calipers

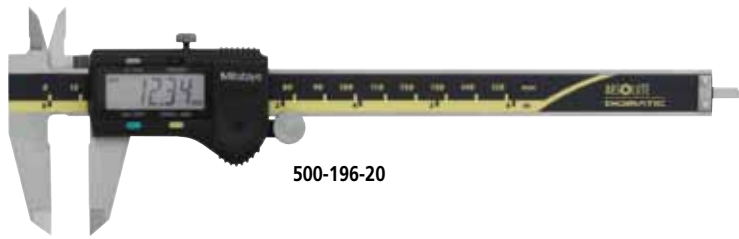
## SERIES 500 – ABSOLUTE Digimatic Caliper

- The ZERO/ABS button allows the display to be Zero-Set at any slider position along the scale for comparison measurements. This button will also allow return to the absolute (ABS) mode and display of the true position from the origin (usually jaws closed point).
- Large and clear LCD readout.
- Smooth slider movement makes for comfortable operation.
- 20,000 hours battery life.
- Can measure outside and inside dimensions, depth, and steps.
- Carbide-tipped jaw calipers give the longest life when measuring rough finished parts, castings, grinding wheels, etc.
- Data output function allows integration into statistical process control and measurement systems.

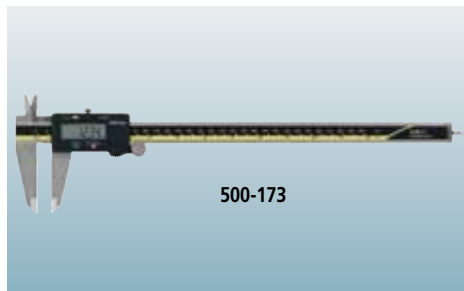
**ABSOLUTE**



500-172-20

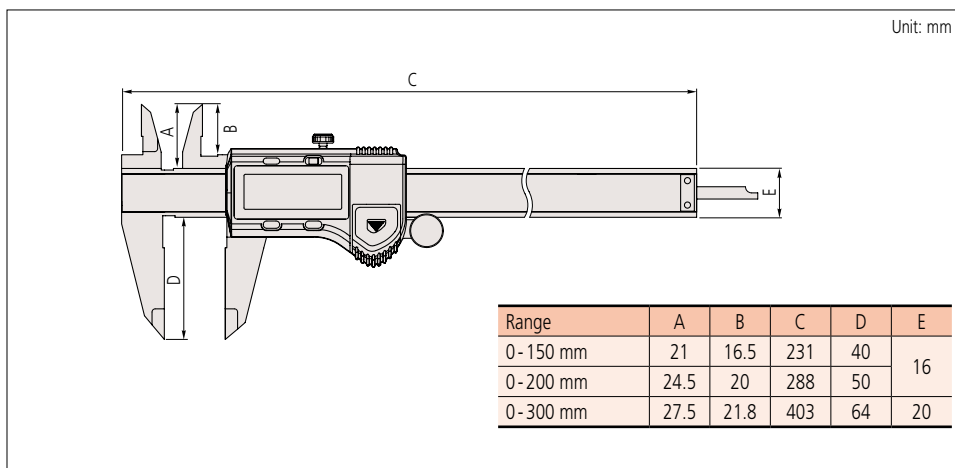


500-196-20



500-173

### DIMENSIONS



### Technical Data

Resolution:	0.01 mm (.0005")
Repeatability:	0.01 mm
Scale type:	ABSOLUTE electrostatic linear encoder
Max. response speed:	Unlimited
Battery:	SR44 (1 pc.), <b>938882</b>
Battery life:	Approx. 3.5 years under normal use (20,000 hours for continuous use)

### Functions

#### Absolute measurement:

After power is turned ON, measurement can be started without zero-setting if origin-setting was previously performed. The Absolute origin position can be changed by the ORIGIN button.

#### Incremental measurement:

Display can be set to zero at any arbitrary position for comparative measurements.

#### Scale contamination detection:

Contamination on the surface of the scale is detected and an error message (ErrC) is displayed.

#### Low-voltage alert:

If the battery voltage becomes low, a "B" appears in the display to alert the user before measurement is no longer possible. A battery change advisory alert precedes this alert.

#### Data output:

Models equipped with this function have an output port for transferring measurement data to a Statistical Process Control (SPC) system.

#### Data hold:

By using the data hold unit (option), the displayed value can be held. This cannot be used with the data output function.

### Optional Accessories

(Only for models with data output function)

- 959149:** SPC data cable with pushbutton (1 m) **£34.60**
- 959150:** SPC data cable with pushbutton (2 m) **£39.40**
- 06ADV380C:** USB Input Tool Direct USB-ITN-A (2 m) **£90.80**
- 02AZD790C:** SPC data cable for U-WAVE-T (160 mm) **£52.20**
- 02AZE140C:** SPC data cable for U-WAVE-T and footswitch (160/500 mm) **£114.00**

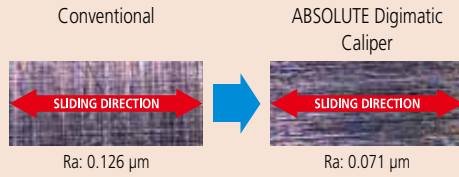


- 959143:** Data hold unit **£17.00**



## Smooth slider movement makes for comfortable operation.

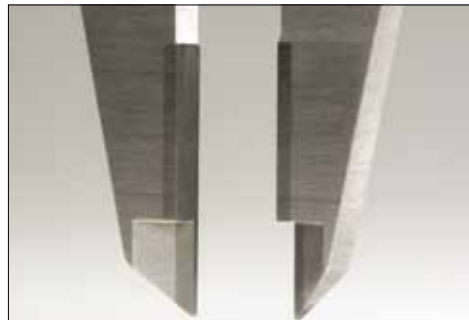
High quality guide surface finish for smooth slider movement.



## SPECIFICATIONS

Inch/Metric				
Code No.	Range	Accuracy* <sup>2</sup>	Remarks	Price
<b>With SPC data output</b>				
500-171-20	0-150 mm (0-6")	±0.02 mm (.001")	—	£139.00
500-174-20			Carbide-tipped jaws for outside measurement	£198.00
500-175-20			Carbide-tipped jaws for outside and inside measurement	£340.00
500-172-20	0-200 mm (0-8")	±0.02 mm (.001")	—	£172.00
500-176-20			Carbide-tipped jaws for outside measurement	£239.00
500-177-20			Carbide-tipped jaws for outside and inside measurement	£305.00
500-173	0-300 mm (0-12")	±0.03 mm (.0015")	—	£321.00
500-167			Carbide-tipped jaws for outside measurement	£463.00
500-168			Carbide-tipped jaws for outside and inside measurement	£557.00
<b>Without SPC data output</b>				
500-196-20	0-150 mm (0-6")	±0.02 mm (.001")	—	£99.00
500-159-20			Carbide-tipped jaws for outside measurement	£236.00
500-160-20			Carbide-tipped jaws for outside and inside measurement	£308.00
500-197-20	0-200 mm (0-8")	±0.02 mm (.001")	—	£142.00
500-163-20			Carbide-tipped jaws for outside measurement	£220.00
500-164-20			Carbide-tipped jaws for outside and inside measurement	£413.00
500-193	0-300 mm (0-12")	±0.03 mm (.0015")	—	£286.00
500-165			Carbide-tipped jaws for outside measurement	£410.00
500-166			Carbide-tipped jaws for outside and inside measurement	£561.00

\*<sup>2</sup> Excluding quantizing error.



Carbide-tipped jaws for outside measurement



Carbide-tipped jaws for inside measurement