

OXFORD PRECISION *Interchangeable Anvil Micrometers*

Carbide tipped spindle faces. Hardened and ground anvils. Supplied in metal case with adjusting spanner. Four anvils and three setting standards.

Accuracy: $\pm(4+L/75)$ mm.
Measuring faces flatness: ± 0.6 mm.
Parallelism: $(2+L/100)$ mm.

UKAS
Calibration
Service
Available



See Page 612

PRECISION EQUIPMENT



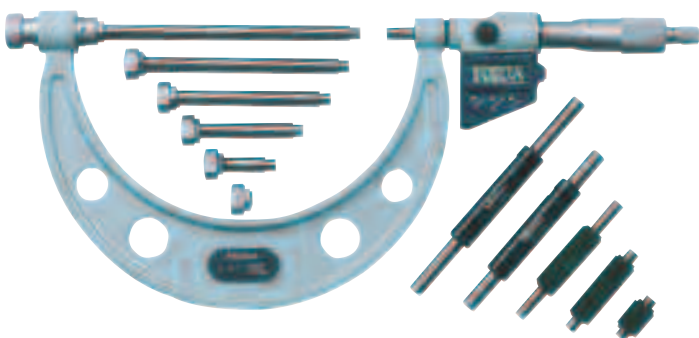
Range	Resolution	Weight each	Order Code	List Price/1	Offer Price/1
0 - 100mm	0.01mm	850g	OXD-335 -3000K	£183.00	£137.25

Range	Resolution	Weight each	Order Code	List Price/1	Offer Price/1
0 - 150mm	0.01mm	990g	OXD-335 -3020K	£239.00	£179.25

Mitutoyo *Interchangeable Anvil Type Micrometers*

Series 340

One piece carbide tip spindle and six interchangeable anvils. Positive locking clamp and ratchet stop. Supplied with standards. Power supply: battery 1x SR44 Order Code **PAN-904-5020K** supplied.



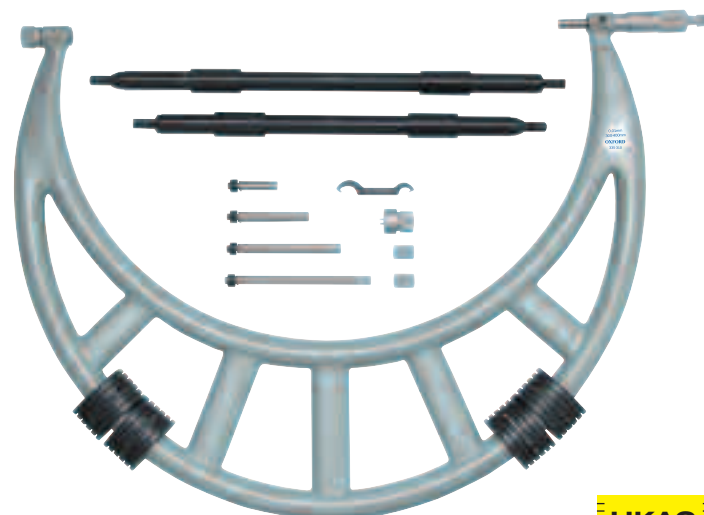
Accuracy:
 Parallelism: $(2+L/100)\mu\text{m}$ (fraction rounded down).
Flatness:
 within $0.6\mu\text{m}$ for up to 300mm,
 within $1.0\mu\text{m}$ for up to 1000mm.
Instrument error: $+(4+L/75)\mu\text{m}$ (fraction rounded up).
Resolution: $0.001\text{mm}/0.00005''$.

UKAS
Calibration
Service
Available

See Page 612

OXFORD PRECISION *Interchangeable Anvil Micrometers*

Oxford's versatile range of micrometers with interchangeable anvils with ratchet top, lock, setting standards and wooden case. Rigid and stable cast iron frame that is perforated for lightness.



UKAS
Calibration
Service
Available

See Page 612

Product Number	Range	Order Code	List Price/1	Offer Price/1
340-711-30	0 - 150mm/0 - 6"	-4220A	£496.00	£436.48
340-714	450 - 600mm/18 - 24"	-4223D	£1060.00	£932.80

Product Number	Range	Order Code	List Price/1	Offer Price/1
2425-0400	300 - 400mm	-3100K	£360.00	£270.00
2425-0500	400 - 500mm	-3120K	£421.00	£315.75
2425-0600	500 - 600mm	-3140K	£529.00	£396.75

CONTRACT PRICES AVAILABLE FOR VOLUME PURCHASES